

PATENT DESIGN ALL IN ONE SOLAR STREET LED LIGHT 150 WATT



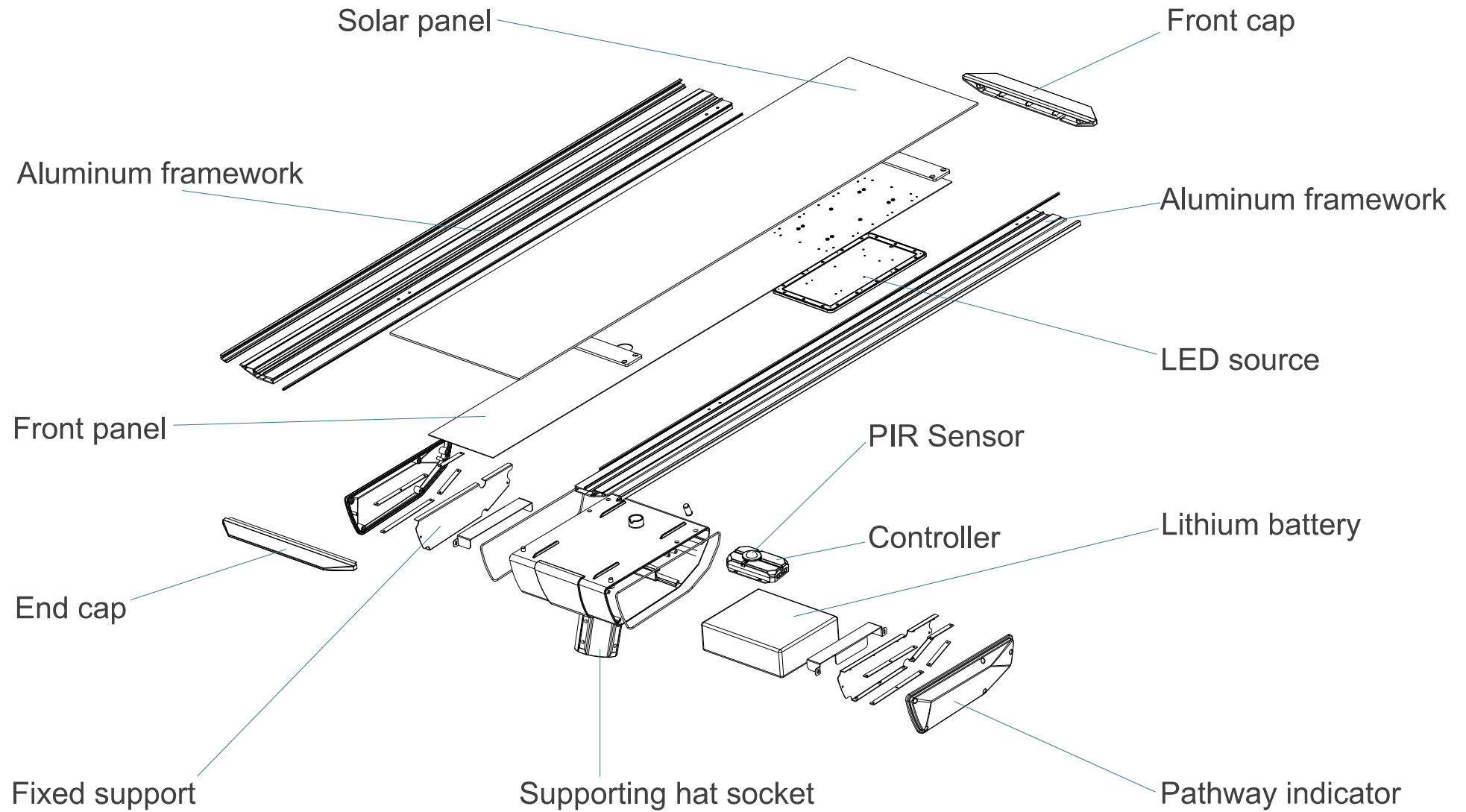
1. Product Introduction



On the principle of eco-friendly and intelligent application, this integrated solar LED street light was born to solve the problem of high-expense electricity or lacking electricity in some areas, by using the solar power energy. Well-designed by our senior ID engineer, super-thin body design of 26mm thickness, detachable battery storeroom and RGB indicator makes it more artistic and easier to operate.



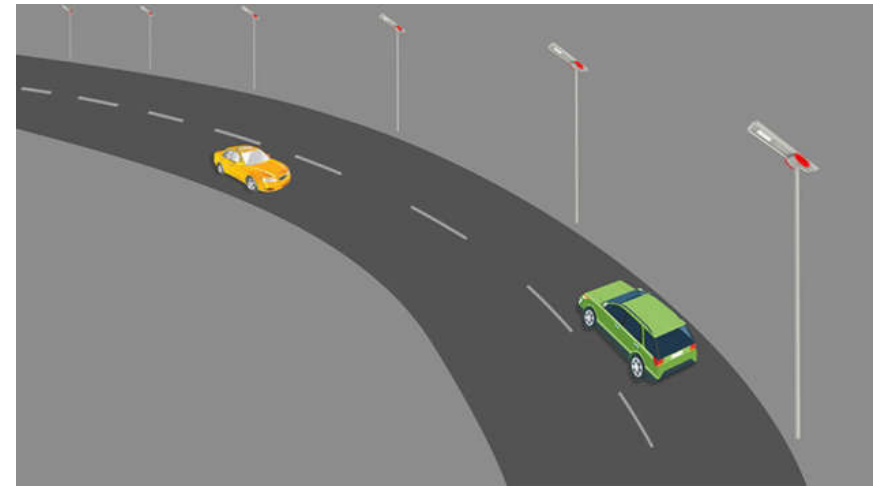
2. Product structure



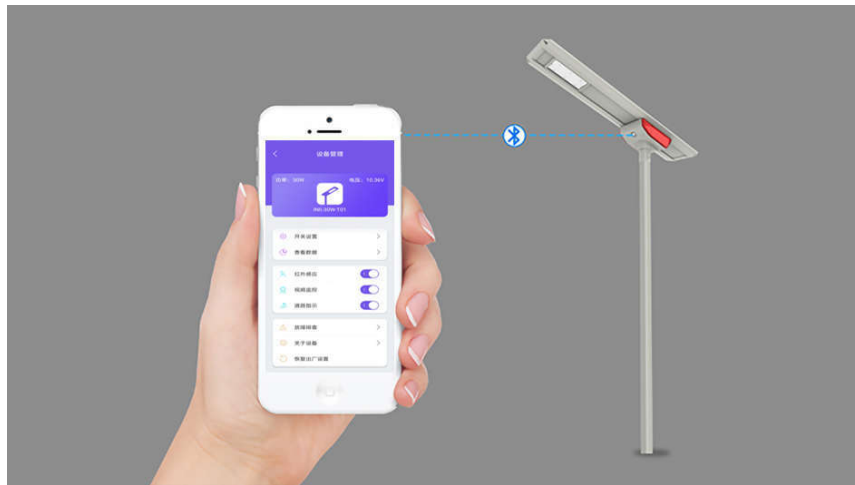
3. Function characteristics



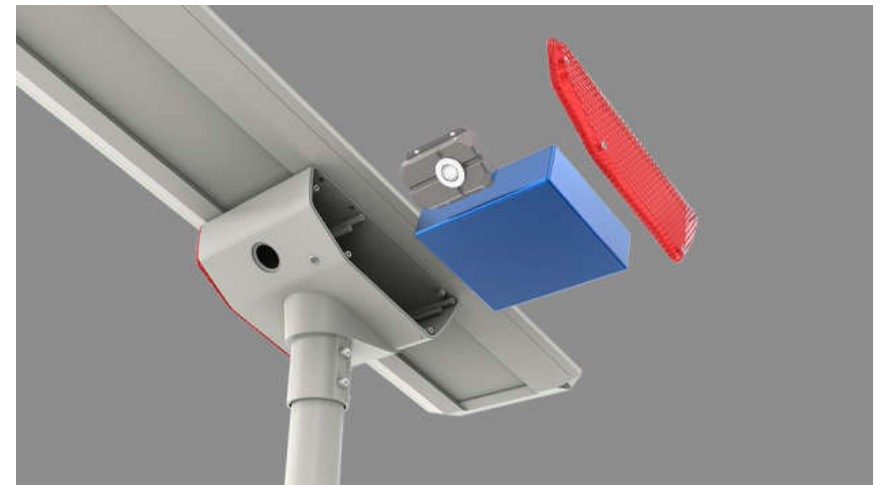
PIR sensor: Check if somebody under the light through human infrared sensor, and adjust the brightness accordingly.



Pathway indicator: Alert the drivers to pay attention by pre-indicating the front road status, especially in rainy or foggy days.



APP control: Completely controlled by bluetooth APP, including turn on/off the light, read the light data and so on.



Detachable battery storeroom: Easier to replace the battery or controller, no need to disassemble the light.

4. Product advantages

Compared with LED street light

1. Supplied by solar power energy, eco-friendly and no electricity charges;
2. DC12V power supply system, more safety than commercial electricity;
3. Easier installation, no buried cable;
4. Lower maintenance cost, all the problems will be found on smartphone APP;
5. All the lights are independent, won't affect each other if any problems occur;
6. Time control and light control, will automatically turn on/off according to the real-time environment, and can set lighting time in different periods.

Compared with other solar street light

1. Self-designed and self-developed, exclusive private mold;
2. All the components, such as solar panel, battery packing and controller, are entirely produced and tested by our workshop, which makes the quality control better;
3. Choose raw materials from major brand suppliers, such as Bridgelux;
4. All the lights will be under aging test for 72 hours to guarantee the quality before shipping;
5. Patent bluetooth APP, can turn on/off the light, read the data, troubleshooting and so on;
6. With detachable battery storeroom, easier to replace the battery or controller, no need to disassemble the light;
7. We provide 5 years warranty.

5.Basic parameter:INH-150W

Electrical Characteristic

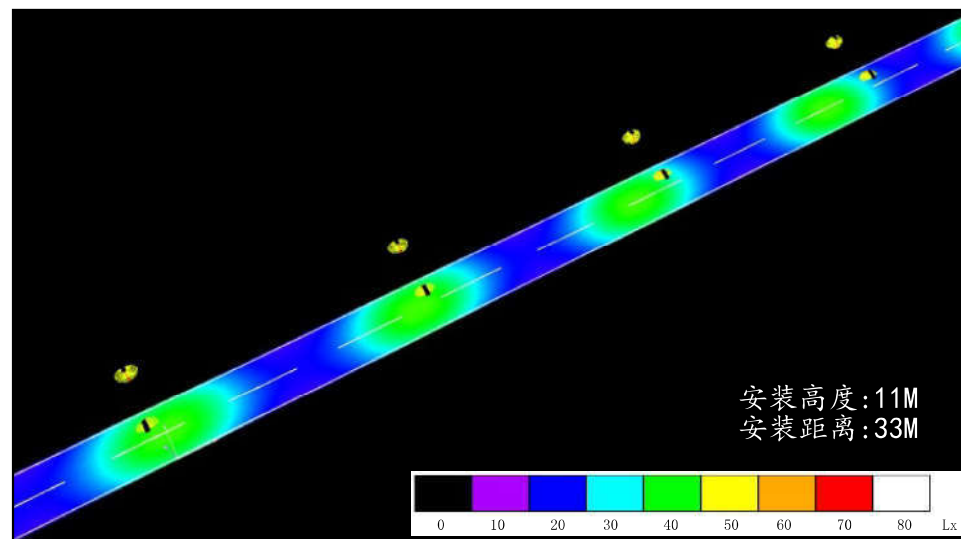
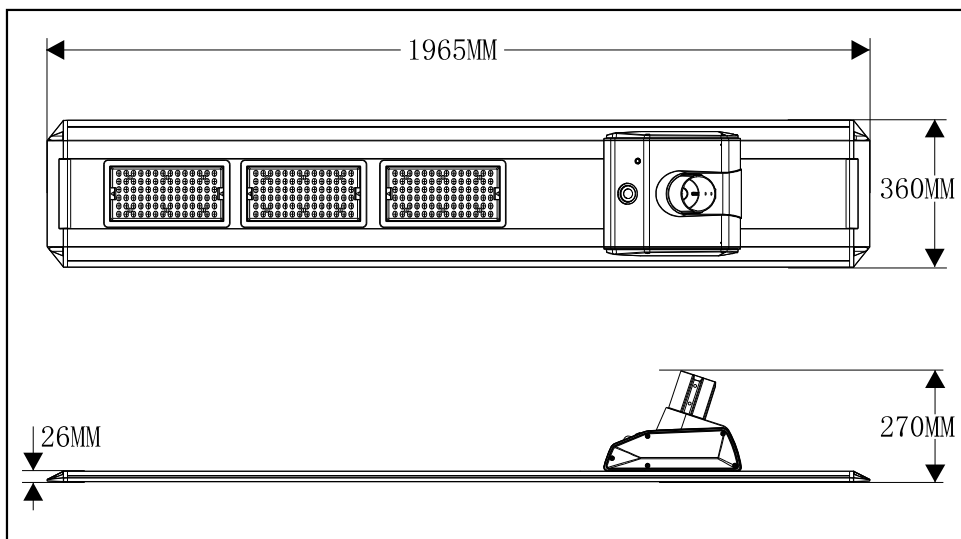
Rated Power	150W
Solar Panel	18V/110W
Lithium Battery	808WH
Charging Time	6-8H
Discharging Time	>36H
Working Temperature	-25℃~+65℃
Switch Threshold	15LUX
Sensing Distance	≤12M

LED Parameters

LED	126pcs 5050LED
Lumen Flux	15600-18000LM
Luminous Efficiency	100-120LM/W
Light Distribution	Batwing Type
Color Temperature	2800-6500K

Mechanical Specification

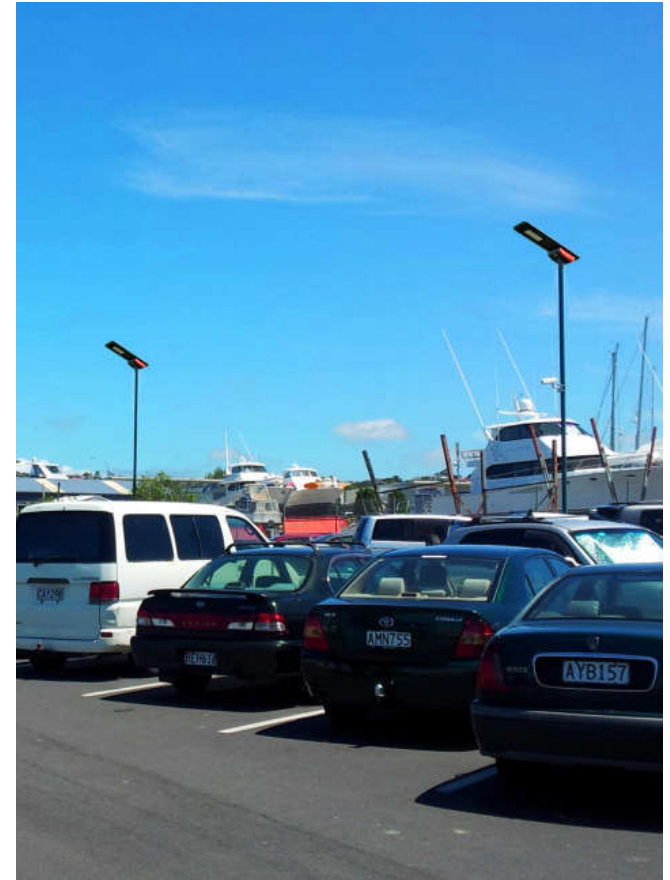
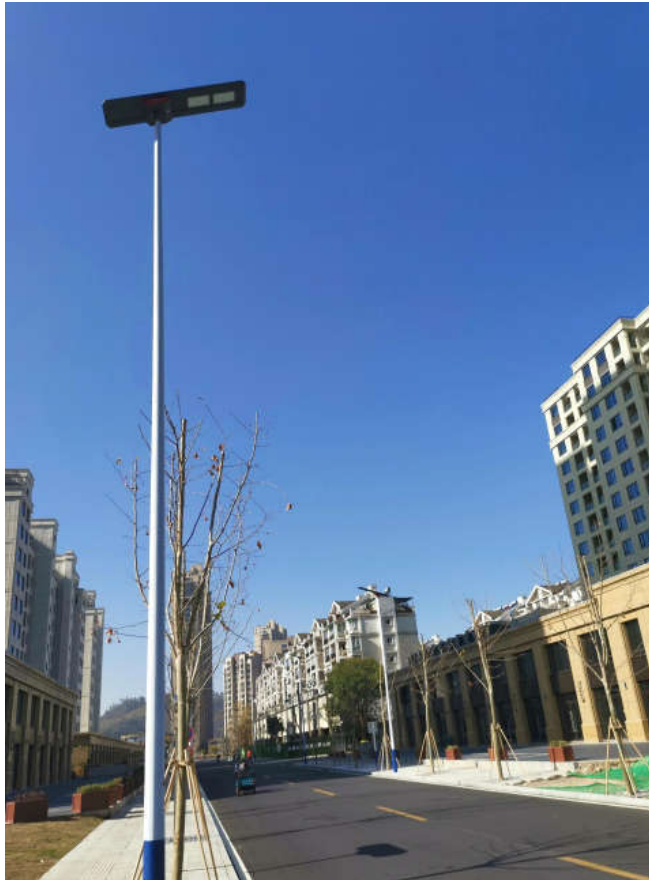
Light Body Size	1965*360*270MM
Weight	23.8KG
Installation Height	10-12M
Pole distance	30-36M



6. Applications

Wide range of application, can satisfy the lighting requirement in most areas, the pathway indicator also can be another scenery of the urban infrastructure ;

Can be used in traffic road, highway, main street, outdoor parking lot, square and scenic spot etc.



7. Installation and maintenance

1. Installation

Installation steps as follows,



(1) . Insert the pole into the hat socket



(2). Fasten the 6 screws with tools



(3). Stand the pole upright

2. Maintenance

The first month after installation and later every 6 monthes:

- ◆ Regularly clean the solar panel from dirt spots, dusting or other kinds of soiled is suggested to assure the charging efficiency;
- ◆ Regular maintenance is suggested to keep the locking screws of pole are secured to the ground, and keep the pole clear from rust or corrosion.

3. Warranty

Product Warranty: We provide 5 years warranty.

Disclaimer Declaration:

- ◆ The manufacturer shall not be responsible or liable for failure to perform all or any portion of this specification due to earthquake, flood, thunder or other natural hazards, and fire disaster which not caused by our products;
- ◆ The manufacturer shall not be responsible for damage and loss casued by any unforeseen events such as theft, traffic accidents;
- ◆ The manufacturer shall not be responsible for loss which not complied with this product manual;
- ◆ The manufacturer shall not be responsible for loss which caused by use in conjunction with irrelevant our products.