

1



# **XANTRA ADVANCED ONLINE INVERTER**

## **3.5KVA & 6KVA**

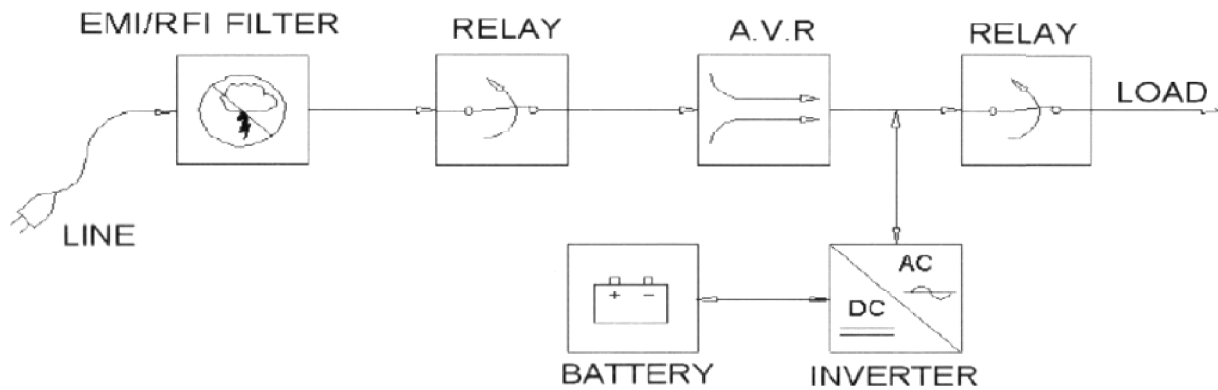
PSC SOLAR (UK)

# SPECIFICATIONS

## Appearance



## System Diagram



MODEL		3.5KVA	6KVA
INPUT	Voltage (Vac)	150-285	
	Frequency (Hz)	50±5	
OUTPUT	Capacity(Va/Watts)	3500/2800	6000/48000
	Voltage(Vac)	230±10%	
	Frequency (Hz)	50±0.5% (Battery mode)	
	Waveform	Pure sine wave, THD≤3% (linear load)	
	Efficiency (DC-AC)	90%	
	Efficiency (AC-DC)	95%	
	TRANSFER TIME (ms)	<10	
	Overload	105% long time working, 105%~115% load for 30s >115%load for 3s	
	BATTERY	Voltage (Vdc)	12V x 4 = 48
BATT type		External	
Charging current (A)		50A	75A
BATT self-testing		Automatically Alarm and estimate Battery status in Battery abnormal status	
OTHER	Communication	RS232	
	Display	LCD Display indicates frequency, voltage load, Battery voltage, etc. LED indicates running status	
	Alarm	Overload, abnormal AC input, low battery UPS failure	
	Protection	Low battery, overload, over temperature, short circuit etc	
	Noise (dB)	<55	
	Protection class	IP31	
	Working temperature	-20~60°C (it needs derating if more than 40°C)	
	Relative Humidity	0~95%, no Condensation	
	Integrated AC/DC Breaker	Yes	
	Integrated AVR	Yes	