

# Hybrid Solar Inverter 5.5KW Parallel

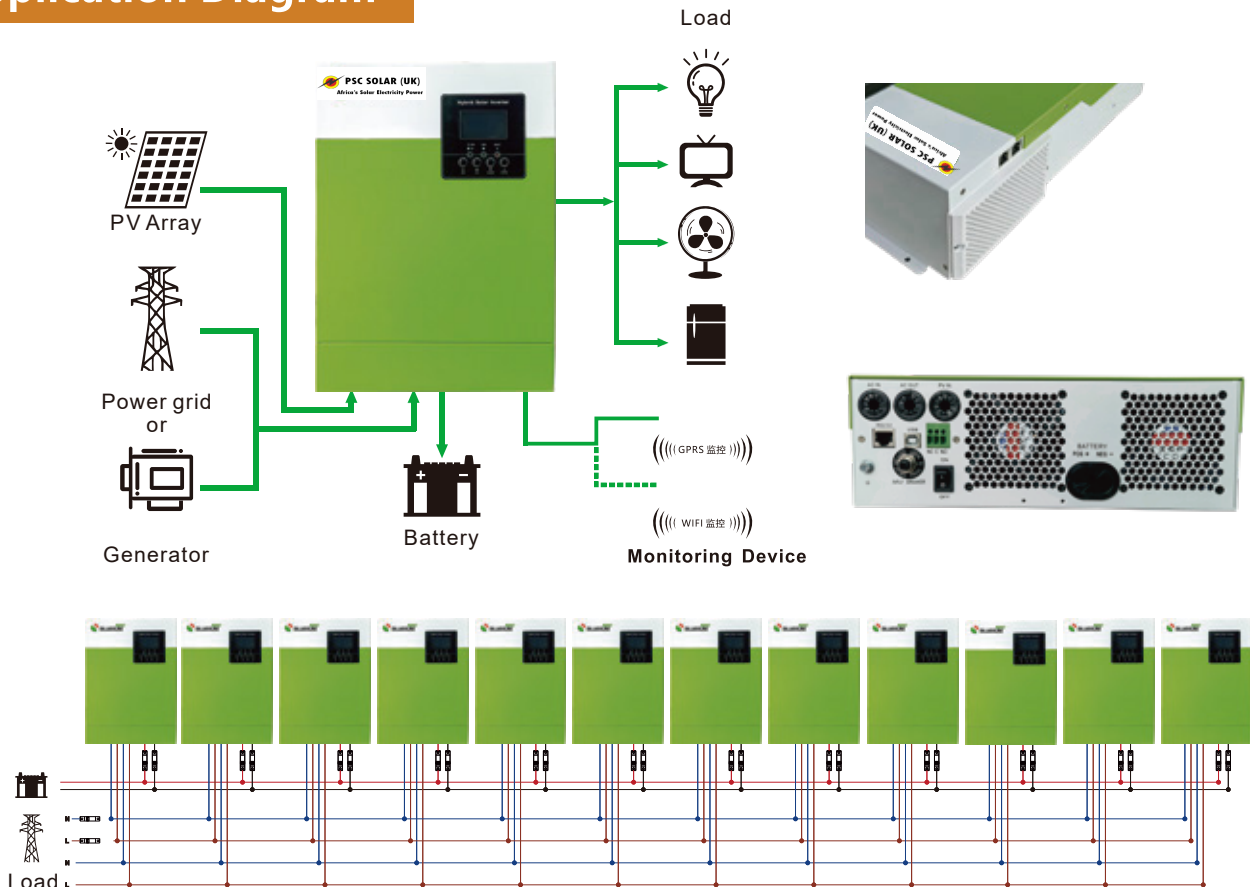


## Features

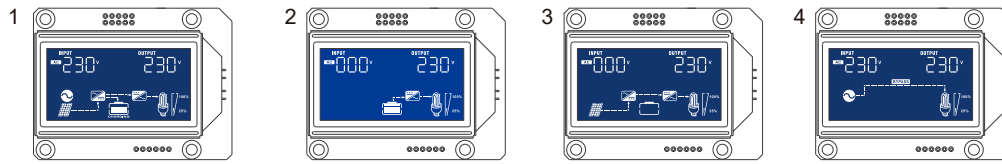
- Pure sine wave solar inverter
- Output power factor 1
- High PV input voltage range
- Built-in MPPT solar controller
- Battery equalization function to optimize battery performance and extend lifecycle
- Inverter running without battery
- Built-in anti-dusk kit for harsh environment
- Parallel operation with up to 12 units
- WiFi/GPRS remote monitoring(Optional)
- Detachable LCD(Optional)

This is a multi-functional inverter/charger, combining functions of inverter, solar charger and battery charger to offer uninterruptible power support in portable size. Its comprehensive LCD display offers user-configurable and easy-accessible button operation such as battery charging current, AC/solar charger priority, and acceptable input voltage based on different applications.

## Application Diagram



## System Diagram



1. With battery, solar and AC available
2. With battery, solar and AC not available
3. Without battery, solar available
4. Without battery, AC available

## Technical Data

MODEL	BSM-5500BLV-48
Capacity	5.5 KVA /5.5KW
Parallel Capability	Yes,Max to 12 Units
INPUT	
Nominal Voltage	220VAC
Acceptable Voltage Range	170-280VAC (For personal Computer)90-280VAC (For Home Appliances)
Frequency	50/60 Hz (Auto sensing)
OUTPUT	
Nominal Voltage	220/230VAC ± 5%
Surge Power	11000VA
Frequency	50/60 Hz
Waveform	Pure Sine wave
Transfer Time	10ms(For personal Computer)20ms(For Home Appliances)
Peak Efficiency (PV to INV)	96%
Peak Efficiency (Battery to INV)	93%
Overload Protection	5s@ >=150% load; 10s@110%~150% load
Crest Factor	3:1
Admissible Power Factor	0.6~1 (inductive or capacitive)
BATTERY	
Battery Voltage	48VDC
Floating Charge Voltage	54VDC
OverCharge Protection	63VDC
Charging Method	CC/CV
Solar Charger & AC Charger	
Solar Charger TYPE	MPPT
Max. PV Array Power	5500 W
Max. PV Array Open Circuit Voltage	500VDC
PV Array MPPT Voltage Range	120VDC ~450VDC
Max. Solar Input Current	18A
Max. Solar Charge Current	100A
Max. AC Charge Current	60A
Max. Charge Current	100A
PHYSICAL	
Dimensions, D x W x H(mm)	482x290x113
Package Dimensions, D x W x H(mm)	565x380x190
Net Weight (Kgs)	10
Communication Interface	USB /RS 232/Dry-contact
ENVIRONMENT	
Operating Temperature Range	-10°C to 50°C
Storage temperature	-15°C ~ 60°C
Humidity	5% to 95% Relative Humidity(Non-condensing)

Product specifications are subject to change without further notice.



+234 812 085 5444 or +234 808 955 2800



info@psc-solaruk.com



+2348120855444



41B OLUTOYE CRES. OFF ADENIYI JONES, IKEJA LAGOS

www.psc-solaruk.com

